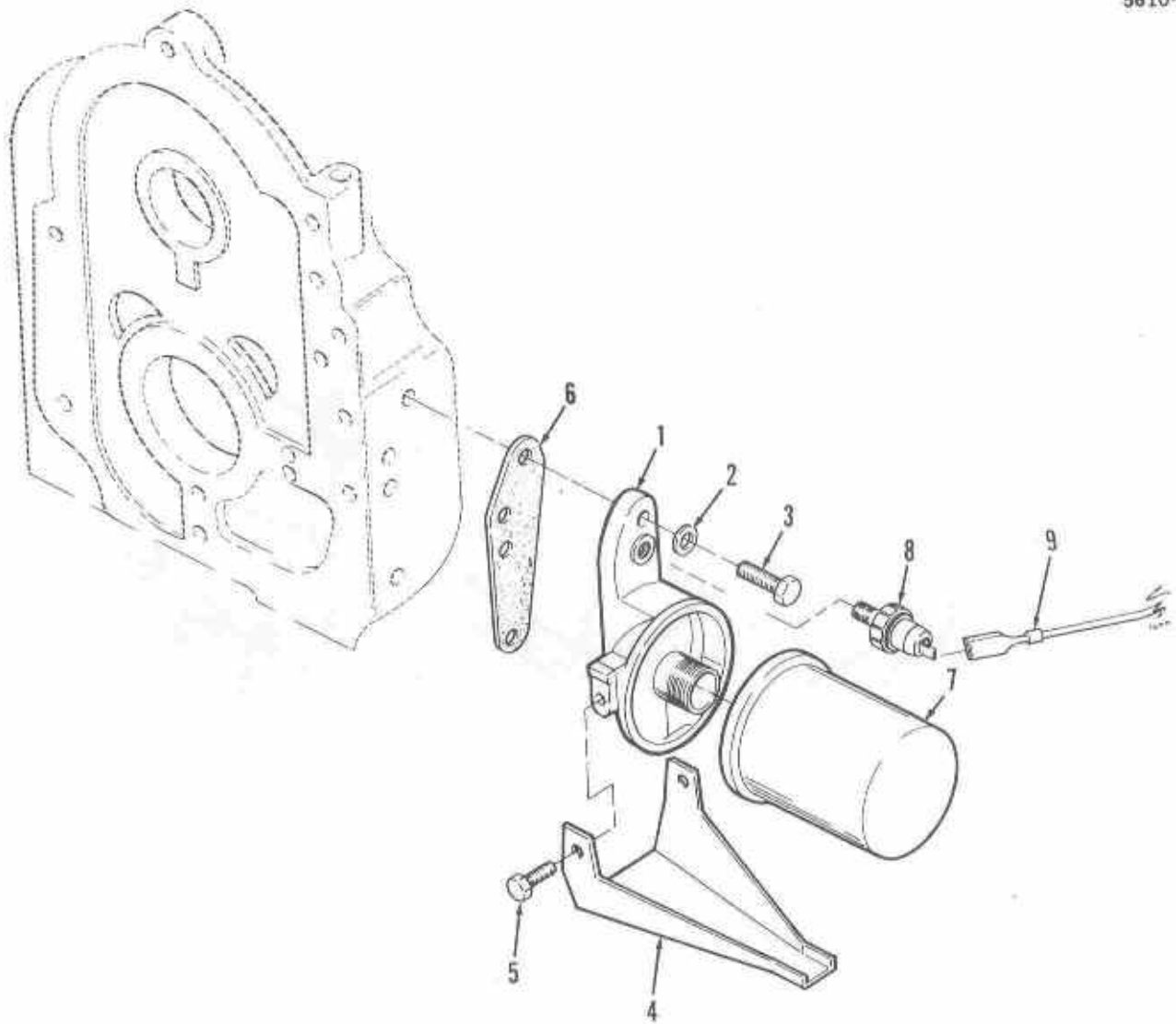


# Oil Filter

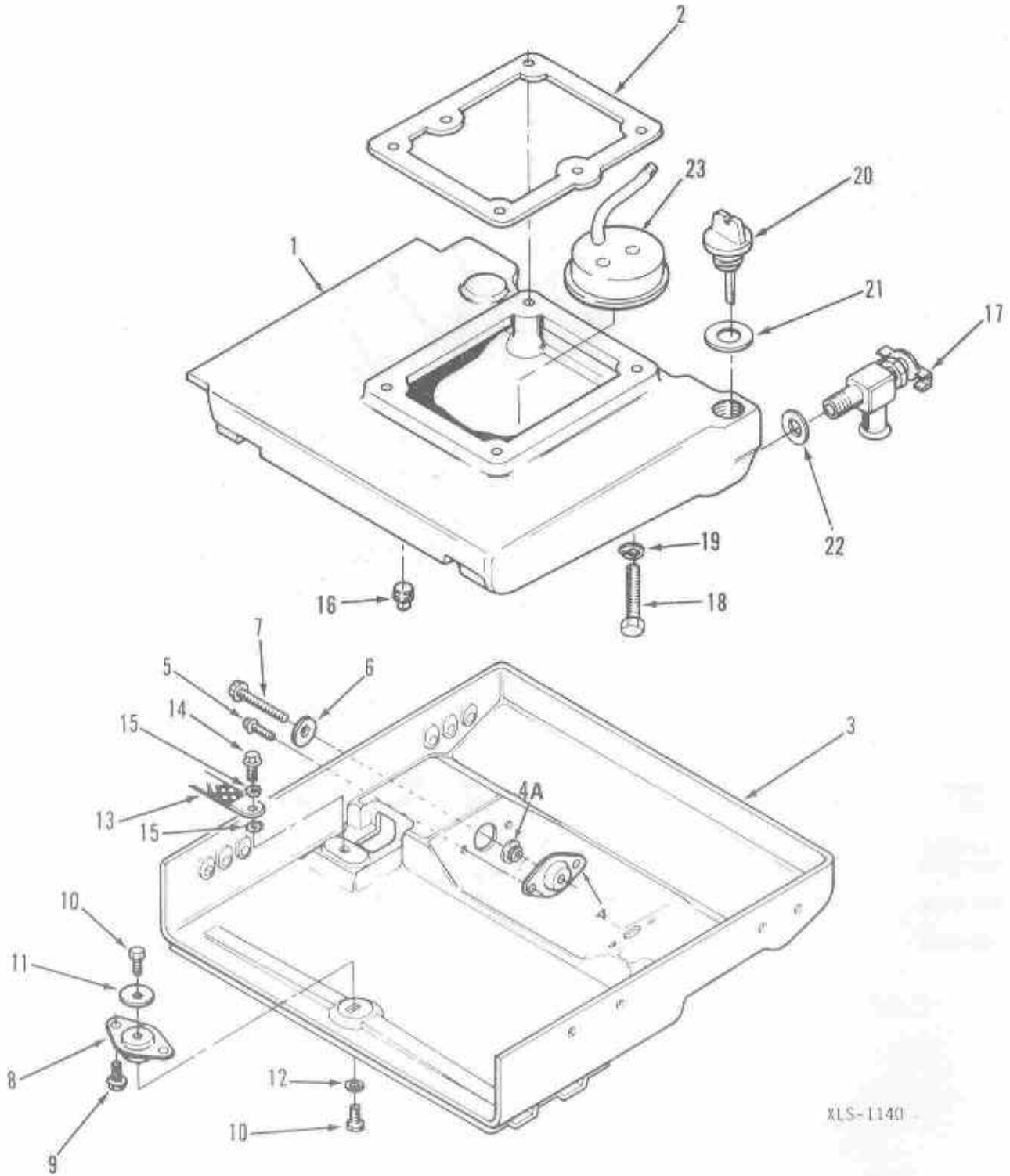
5610-0014  
5610-0020  
5610-0026



REF NO.	PART NO.	QTY USED	PART DESCRIPTION	REF NO.	PART NO.	QTY USED	PART DESCRIPTION
1	122-0320	1	Adapter, Oil Filter	5	815-0194	2	Screw, Cap - Hex Head W/ET (#10-32x3/8")
2	526-0065	2	Washer, Flat - Copper (5/16" Screw)	6	122-0375	1	Gasket, Oil Filter Adapter
3	800-0028	2	Screw, Cap - Hex Head (5/16-18x1")	7	122-0445	1	Filter, Oil - Spin-On
4	122-0352	1	Drain, Oil Filter	8	309-0322	1	Switch, Low Oil Pressure
				9	338-2086	1	Harness, Wiring - NHFL (See Separate Page for Components)

# Oil Base And Mounting Hardware

Model No. 100  
777-0001  
100-1000



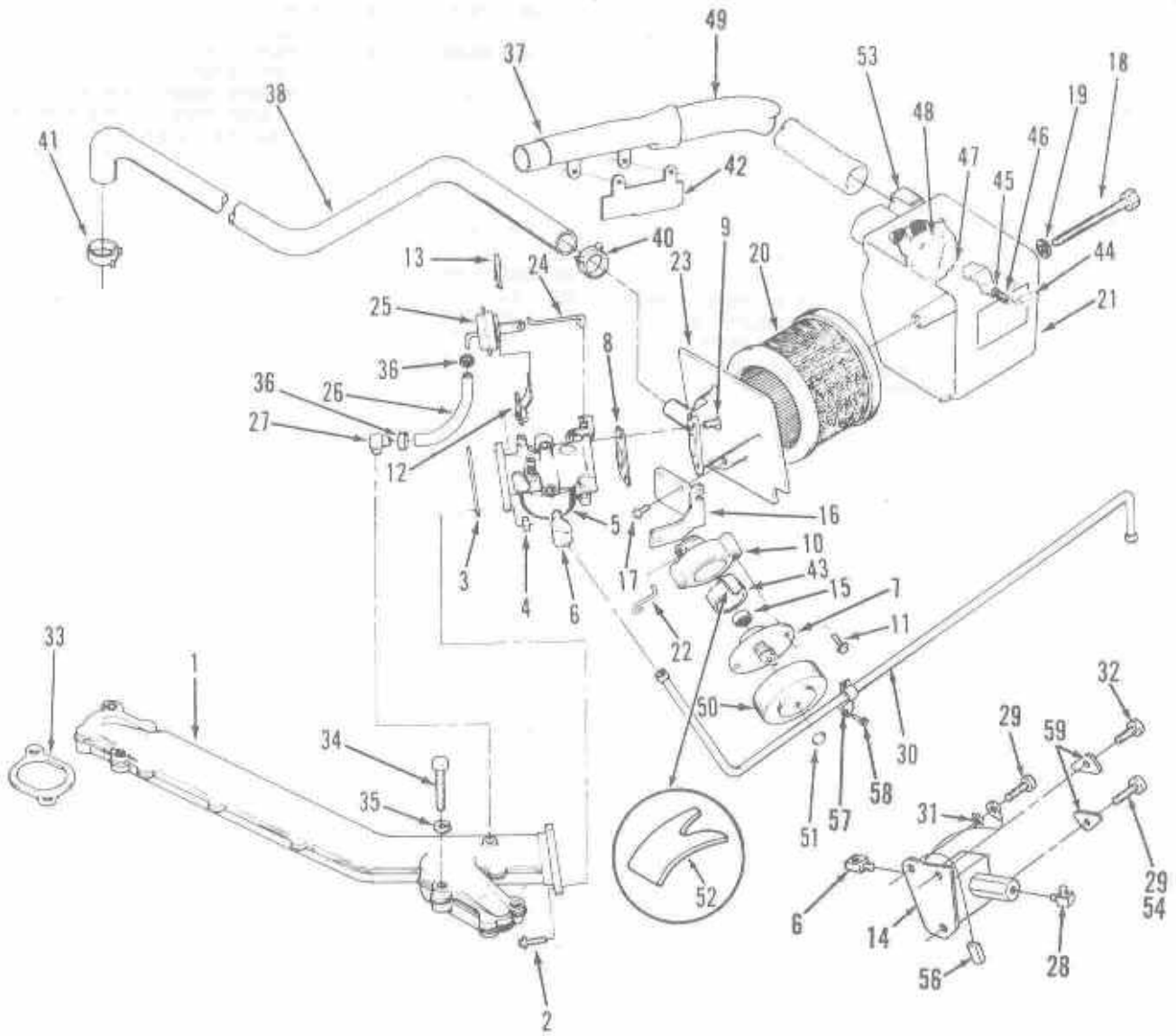
XLS-1140

## Oil Base And Mounting Hardware

5620-0063

REF NO.	PART NO.	QTY USED	PART DESCRIPTION	REF NO.	PART NO.	QTY USED	PART DESCRIPTION
1	102-1286	1	Base, Oil	13	337-2311	1	Strap, Ground (Mounts Scroll To Drip Pan)
2	102-1200	1	Gasket, Oil Base	14	821-0014	1	Screw, Hex Washer Head (5/16-18x1/2")
3	403-2557-02	1	Pan, Drip	15	856-0008	2	Washer, Lock EIT ( 5/16")
		1	Above Floor Models	16	102-0938	1	Plug, Oil Drain
		1	Below Floor Models (See Below Floor Housing Pages)		505-0266	1	Rear Drain, Bottom Drain Oil Base - (1/2")
4	402-0597	2	Isolator, Vibration - Generator End				Square Head, Countersunk (3/8" Pipe) - Begin Models Manufactured 6/85
4A	402-0547	2	Snubber (Use with Isolator)	17	504-0092	1	Valve, Shut-Off - Oil Base Rear Drain, (Above Floor Model)
5	821-0010	4	Screw, Hex Washer Head - Self-Locking (1/4-20x1/2")	18	800-0058	4	Screw, Cap - Hex Head (3/8-16x3")
6	526-0325	2	Washer, Flat (3/8" Screw) (Special)	19	850-0050	4	Washer, Lock (3/8")
7	815-0657	2	Screw, Hex Head - Thread Form (Special)	20	123-1625	1	Cap, Oil Fill
8	402-0549	1	Isolator, Vibration - Engine End	21	509-0096	1	O-Ring, Oil Fill Cap
9	821-0016	2	Screw, Hex Washer Head - Self Locking (5/16-18x3/4")	22	102-0743	1	Gasket, Oil Drain
10	821-0031	2	Screw, Hex Washer Head - Self Locking (3/8-16x3/4")	23	123-1616	1	Cup, Oil Pump Intake (Includes Pipe And Cup)
11	526-0324	1	Washer, Flat (5/16" Screw)				
12	526-0240	1	Washer, Flat (3/8" Screw)				

Fuel System (Gasoline)

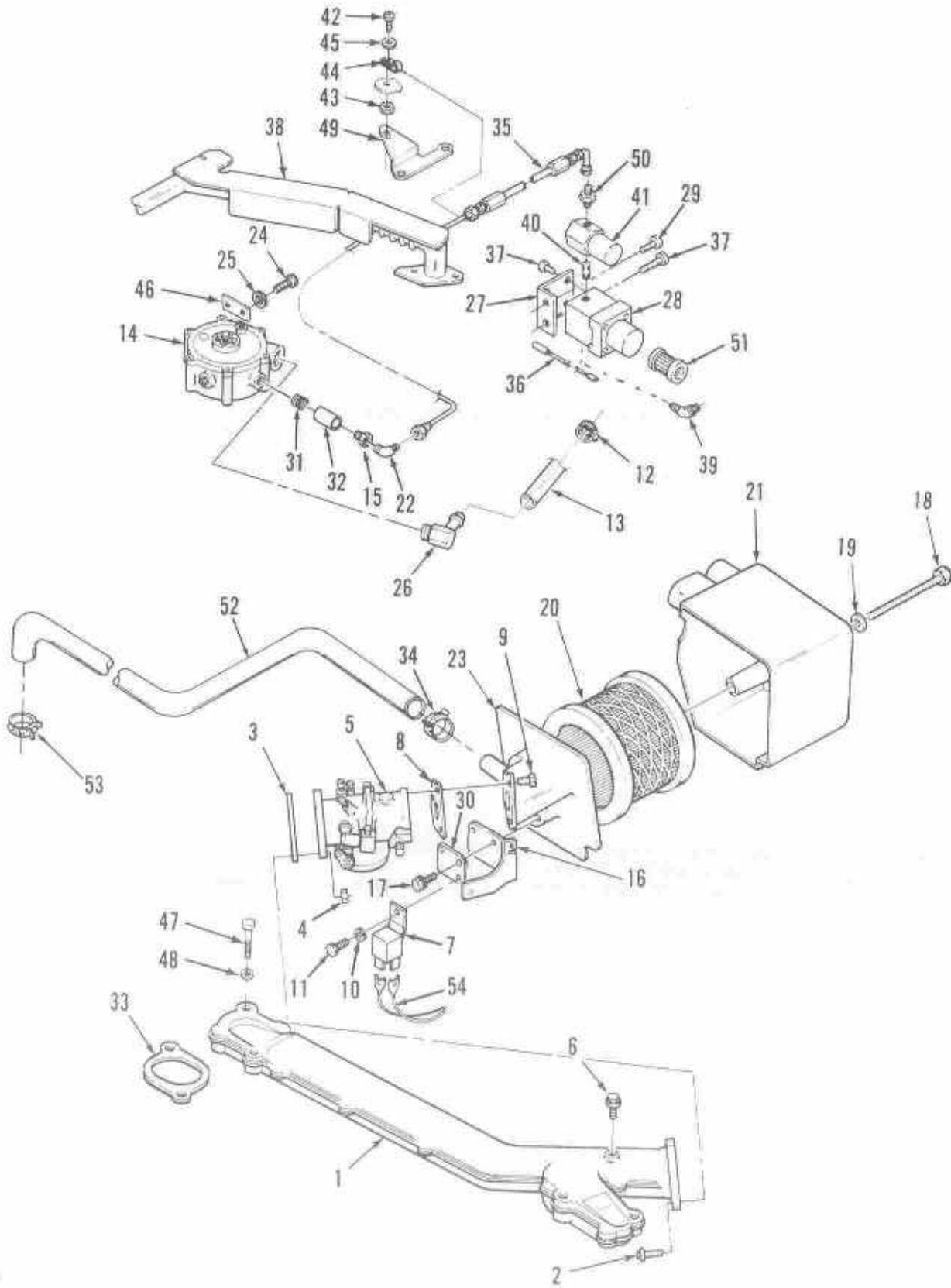


## Fuel System (Gasoline)

5610-0005  
5610-0021

REF NO.	PART NO.	QTY USED	PART DESCRIPTION	REF NO.	PART NO.	QTY USED	PART DESCRIPTION
1	154-2524	1	Manifold, Intake	32			Screw
2	815-0587	2	Screw, Hex Washer Head (Special)		815-0692-01	1	Hex - Machine (1/4-20 x 1/2") - 60 Hertz
3	141-0950	1	Gasket, Carburetor Mounting		815-0692-02	1	Pan Head (1/4-20 x 1") - 50 Hertz
4	862-0015	1	Nut, Hex (5/16-18)	33	154-2219	2	Gasket, Intake Manifold
5	146-0456	1	Carburetor (Includes Mounting Gasket) (See Separate Page for Components)	34	800-0055	4	Screw, Cap - Hex Head (3/8-16 x 2-1/4")
6	502-0002	2	Elbow, Inverted Male	35	850-0050	4	Washer, Lock - Spring (3/8")
7	153-0555	1	Element And Cover, Choke	36	503-1345	2	Clamp, Hose (.395 to .450" Dia.)
8	140-1087	1	Gasket, Air Horn	37	140-1949	1	Adapter, Preheater
9	815-0590	3	Screw, Hex Head (Special)	38	123-1615	1	Tube, Breather
10	153-0556	1	Housing, Choke (Includes Choke Shaft)	39	815-0692-01	1	Screw, Hex - Machine (1/4-20x1/2")
	518-0387	1	Ring, Retainer - Choke Housing (Not Shown)	40	503-1133	1	Clamp, Hose - Breather Tube (Fits Hose OD .875")
11	815-0592	2	Screw, Hex Washer Head (Special)	41	503-0183	1	Clamp, Hose - Breather Tube (9/16 to 1-1/16")
12	153-0561	1	Bracket, Diaphragm Mounting	42	140-2021	1	Baffle, Preheater (Mounts Between Preheater Adapter And Intake Manifold)
13	518-0450	1	Clip, U - Diaphragm Mounting Bracket	43	153-0578	1	Tube, Choke Housing
14	149-2163	1	Pump, Fuel - Electric (Includes Mounting Bracket)	44	517-0223	1	Cap, Vinyl
15	153-0554	1	Bi-Metal, Choke	45	526-0002	1	Washer, Flat (#6 Screw)
16	153-0557	1	Bracket, Housing Mounting	46	120-0140	1	Spring, By-pass
17	815-0591	2	Screw, Hex Washer Head (Special)	47	145-0562	1	Rod, Air Inlet
18	800-0017	1	Screw, Cap - Hex Head (1/4-20x3-1/2")	48	145-0561	1	Cover, Air Inlet
19	526-0018	1	Washer, Flat (1/4" Screw)	49	503-1351	1	Hose, Preheater
20	140-1891	1	Element, Air Cleaner	50	153-0579	1	Cover, Choke Housing
21	140-1894	1	Housing, Air Cleaner	51	870-0421	1	Nut, Cap (6-32)
22	153-0558	1	Linkage, Choke	52	518-0466	1	Clip (Fits Between Choke Housing And Choke Housing Tube)
23	140-1889	1	Adapter, Air Cleaner	53	518-0459	1	Clip, Preheater Hose
24	153-0577	1	Linkage, Pull-off	54	815-0290	2	Screw, Torx - Thread Form (1/4-20 x .62") - 50 Hertz
25	153-0576	1	Pull-off, Choke	55	815-0664	1	Screw, Torx - Thread Form (1/4-20 x 3/8")
26	503-1252	1	Hose, Vacuum (3/16" ID x 3" Long)	56	338-2285	1	Harness, Fuel Pump (Includes Rectifier)
27	502-0871	1	Fitting, Vacuum - Intake Manifold To Vacuum Hose	57	232-3265	1	Clamp, Fuel Line (.86" Dia.)
28	502-0313	1	Elbow, 90° (1/8 NPT x 1/4" ID)	58	815-0661	1	Screw, Pan Head - Thread Cutting (10-32 x 1/2")
29	815-0664	1	Screw, Torx - Thread Form (1/4-20 x 3/8") - 60 Hertz	59	149-2226	2	Washer, Fuel Pump - 50 Hertz
30	149-2097	1	Line, Fuel (Includes 2 Inverted Nuts)				
31	853-0013	1	Washer, EI (1/4") - 50 Hertz				

# Fuel System (LP)



## Fuel System (LP)

5610-0001

5610-0002

5610-0025

REF NO.	PART NO.	QTY USED	PART DESCRIPTION	REF NO.	PART NO.	QTY USED	PART DESCRIPTION
1	154-2524	1	Manifold, Intake	32	148-0900	1	Spacer, Adapter (3/8") 1-1/4" Long
2	815-0587	2	Screw, Hex Washer Head (Special)	33	154-1483	2	Gasket, Intake Manifold
3	141-0281	1	Gasket, Carburetor Mounting	34	503-1133	1	Clamp, Hose - Breather Tube (Fits Hose O.D. .875")
4	862-0015	2	Nut, Hex (5/16-18)	35			Line, LP
5	141-0933	1	Carburetor (See Separate Page For Components)		501-0497	1	13.5" Long
6	505-0274	1	Plug, Pipe - Hex (1/8")		501-0512	1	15" Long
7	307-1886	1	Relay, Ignition		501-0525	1	17.25" Long
8	140-1087	1	Gasket, Air Horn	36	336-9679	1	Lead, Filter Mounting Bracket
9	815-0590	3	Screw, Cap - Hex Head (Special)	37			Screw, Hex Washer Head - Thread Form (1/4-20 x 1/2") Above Floor Models
10	526-0008	1	Washer, Flat (#10 Screw)		815-0261	4	Below Floor Models
11	821-0005	1	Screw, Lockhead (#10-32 x 1/2")	38	815-0261	2	Manifold, Exhaust (See Exhaust System Pages)
12	503-0183	2	Clamp, Hose (9/16 to 1-1/16")	39			Elbow
13	503-1483	1	Hose, Fuel (7.88" Long)		502-0965-01	1	Reducing, 45° - Bottom Outlet - Exhaust Manifold
14	148-0893	1	Regulator		502-0054	1	Male, 90° - Front Outlet - Exhaust Manifold
15			Bushing, Reducer (3/8 To 1/4")	40	502-0929-01	1	Nipple, Close - Bottom Outlet Exhaust Manifold
	502-0927-01	1	Adapter (3/8")	41	307-2501	1	Valve, Fuel Shutoff- Bottom Outlet - Exhaust Manifold
16	153-0557	1	Bracket, Housing Mounting	42	815-0176	1	Screw, Hex Head - Machine (8-32x.50)
17	815-0591	2	Screw, Hex Washer Head (Special)	43	870-0221	1	Nut, Hex (8-32)
18	800-0017	1	Screw, Cap - Hex Head (1/4-20x3-1/2")	44	503-1190	1	Clamp, Hose (Fits .250" Dia, Tube)
19	526-0018	1	Washer, Flat (1/4" Screw)	45	526-0003	1	Washer, Flat (#8 Screw)
20	140-1891	1	Element, Air Cleaner	46	148-0897	1	Washer, Regulator Mounting
21	140-1894	1	Housing, Air Cleaner	47	800-0055	4	Screw, Cap - Hex Head (3/8-16x2-1/4")
22			Elbow, Reducing - 90° 7/16 To 1/4"	48	850-0050	4	Washer, Lock (3/8")
	502-0923	1	7/16 To 3/8"	49	149-2038	1	Bracket, Fuel Line - LP Liquid
	502-0923-02	1		50	502-0949-01	1	Connector, Male
23	140-1889	1	Adapter, Air Cleaner	51	148-0898	1	Element, Fuel Filter
24	815-0647	2	Screw, Hex Washer Head (1/4-20x5/8")	52	123-1615	1	Tube, Breather
25	850-0040	2	Washer, Lock (1/4")	53	503-0183	1	Clamp, Hose - Breather Tube (9/16 to 1-1/16")
26	502-0935	1	Elbow, 90°	54	338-2317	1	Harness, Wiring - Ignition Relay (See Separate Page for Components)
27	148-0896	1	Bracket, Filter Mounting				
28	148-0890	1	Filter, LPG (Includes Element And O-Rings)				
29	815-0370	2	Screw, Cap - Hex Head -Thread Form (1/4-20x1/2")				
30	307-2559	1	Bracket, Relay				
31	148-0899	1	Spring, Adapter (3/8")				