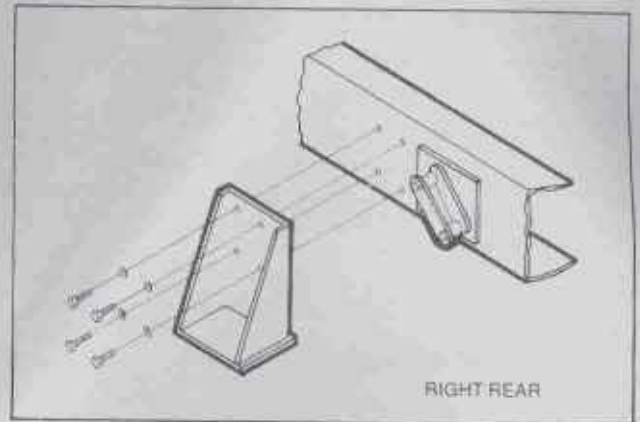
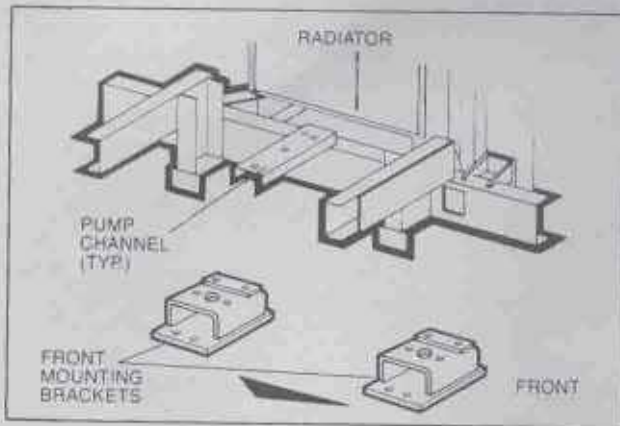


HYDRAULIC BOLT-ON MOUNTING BRACKET KITS PARTS LIST

BOLT-ON MOUNTING BRACKET KITS

MANUAL & AUTOMATIC HYDRAULIC LEVELERS

PARTS LIST

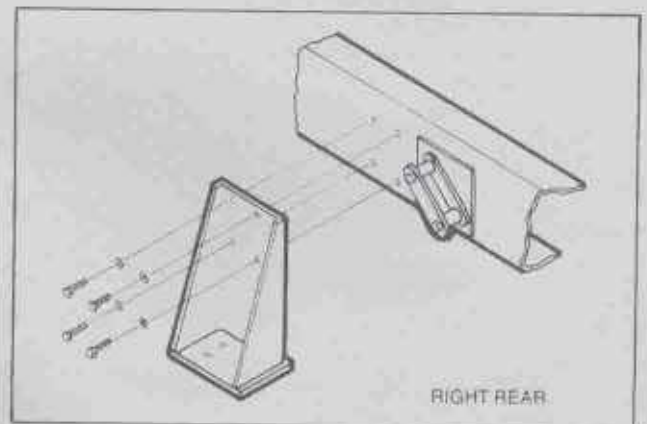
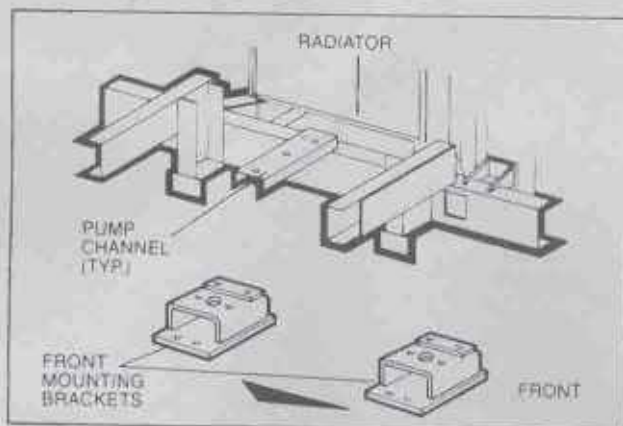


FOR JOHN DEERE RV MODEL 1000 (SHORT) (FRONT & REAR)

845140 Complete John Deere Bracket Kit

This includes:

QTY.	PART NO.	DESCRIPTION
1	845127	Front John Deere Mounting Bracket Kit
1	845138	Right Rear John Deere (1000 Short) Mounting Bracket
1	845139	Left Rear John Deere (1000 Short) Mounting Bracket
1	845137	John Deere (1000 Short) Bracket Hardware Kit



FOR JOHN DEERE RV MODEL 1200 (LONG) (FRONT & REAR)

845130 Complete John Deere Bracket Kit

This includes:

QTY.	PART NO.	DESCRIPTION
1	845127	Front John Deere Mounting Bracket Kit
1	845128	Right Rear John Deere (1200 Long) Mounting Bracket
1	845129	Left Rear John Deere (1200 Long) Mounting Bracket
1	845137	John Deere RV (1200 Long) Bracket Hardware Kit

MAR 88 1168

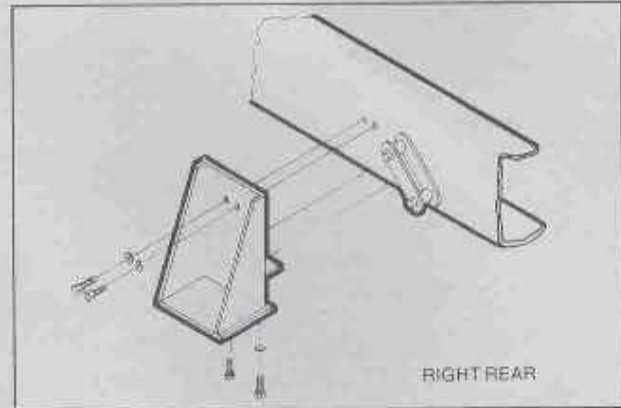
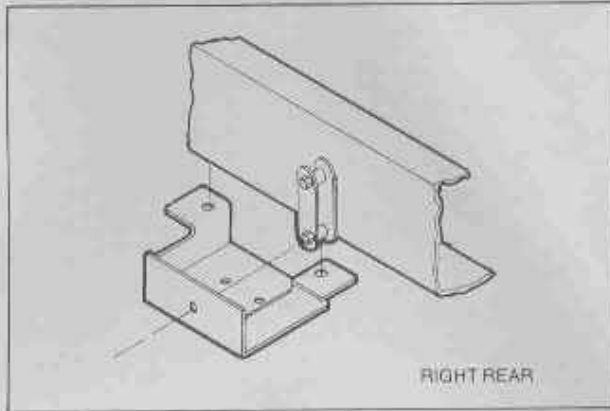


BOLT-ON MOUNTING BRACKET KITS

MANUAL & AUTOMATIC HYDRAULIC LEVELERS

PARTS LIST

HYDRAULIC BOLT-ON MOUNTING BRACKET KITS PARTS LIST



FOR CHEVY (REAR)

845076 Left & Right Chevy Rear Bracket Kit

This includes:

QTY.	PARTNO.	DESCRIPTION
1	845141	Right Rear Chevy Bracket
1	845142	Left Rear Chevy Bracket
1	845143	Rear Chevy Bracket Hardware Kit

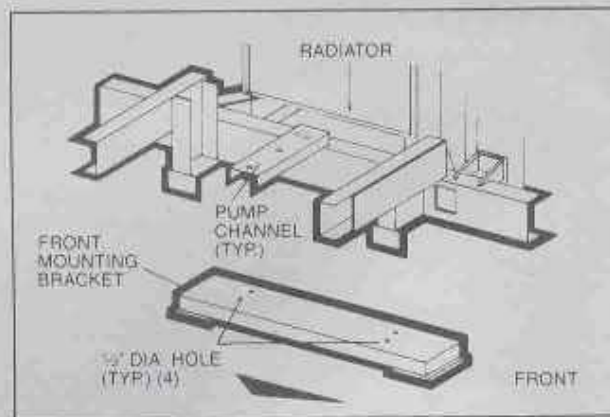
FOR HENSCHEN SUSPENSION (REAR)

Used on Chevy Chassis

845147 Left & Right Rear Bracket Kit

This includes:

QTY.	PARTNO.	DESCRIPTION
1	845144	Right Rear Bracket With Clip
1	845145	Left Rear Bracket With Clip
1	845146	Rear Henschen Bracket Hardware Kit



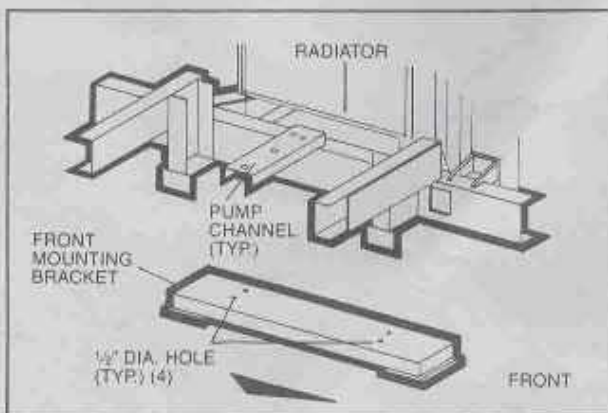
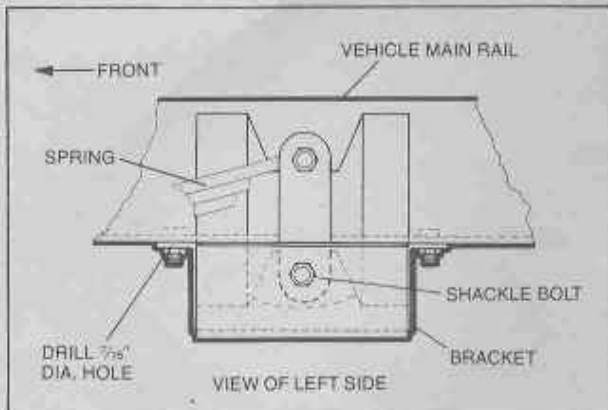
FOR CHEVY (FRONT)

845026 Chevy Front Bracket

INSTALLATION SUPPLEMENT

CHEVY MOUNTING BRACKETS

For A&E Manual & Automatic Hydraulics

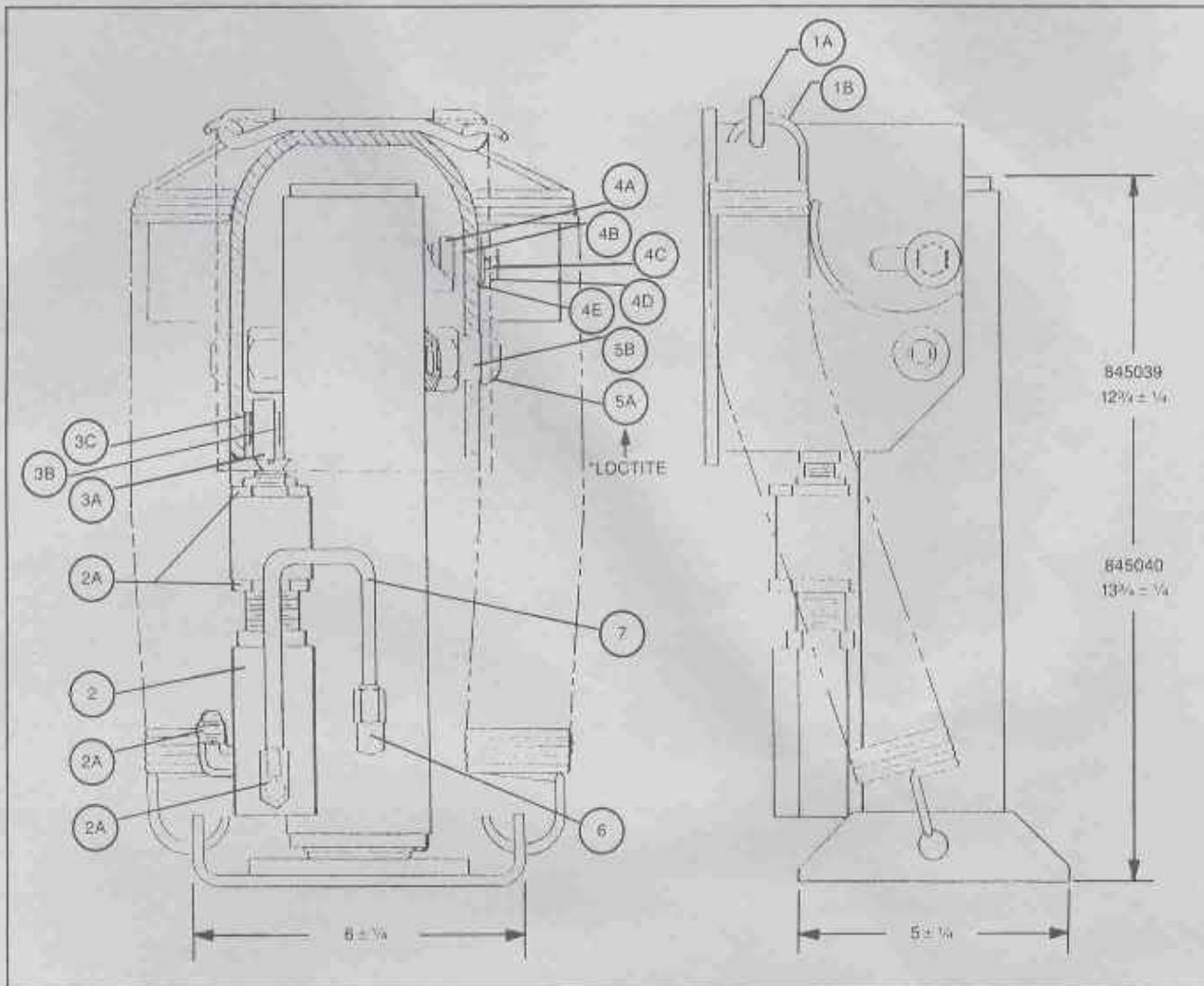


1. Remove nut and spacer washer on shackle bolt.
2. Identify correct bracket (left or right.)
NOTE: The notch or larger cutout is located to the front side of each bracket.
3. Slide correct bracket over shackle bolt and replace nut to hold bracket in position.
4. Use bracket as drill template to drill two (2) 7/16" dia. holes into bottom flange of rail. (In some installations there may be an existing hole which can be used.)
- A. In some installations where access inside the rail is limited (eg. by a tank) a smaller drill may be used and the resulting hole tapped to accept the mounting bolt.
5. Secure the bracket to the rail using 7/8" hex bolts and nuts provided.
6. Repeat bracket installation on opposite side.
7. Continue with normal leveler installation.



EXPLODED VIEW/PARTS LIST

MANUAL HYDRAULIC STANDARD & LOW PROFILE LEVELERS
845039 Short Std. & 845040 Tall Std. Leveler For Systems With Four Lever Control



EXPLODED VIEW/PARTS LIST

NO.	PART NO.	QTY.	DESCRIPTION
—	845039-R		Leveler Std/Short (Complete) (Replaces 845039)
—	845040-R		Leveler Std/Tall (Complete) (Replaces 845040)
1	845108-R	1	Spring Kit 1 3/8 × 12
1A		1	Spring Rod
1B		2	Spring 1 3/8 × 12
2	845058-R	1	Actuator Kit/STD/SM
2A		2	4CTX-S 90° Male Elbow
2B		2	Spanner Nut 1-14
2A	143427-R	2	4CTX-S 90° Male Elbow
3	845109-R	1	Roller Kit 1.125 OD
3A		1	Bearing 1.125 DIA.
3B		1	Roller Fastener
3C		3	Lockwasher 3/8 Ext. Star

NO.	PART NO.	QTY.	DESCRIPTION
4	845111-R	1	Stop Kit Hex Pointed
4A		1	Bumper
4B		1	Hex Stop Heat Treated
4C		1	Hex Capscrew 3/8-16 × 1
4D		1	Lockwasher 3/8 Ext. Star
4E		1	Flatwasher 3/8
5	845110-R	1	Pivot Bolt Kit 3/8 BH
5A		2	BH Capscrew 3/8-11 × 1
5B		2	Bushing .75" OD
6	143427-R	1	4CTX-S 90° Male Elbow
7	845077-R	1	Tube Ass'y 1/4" SM. Leveler (This Tube Is Used On Std. Levelers Only)

Indented items are included with preceding item.

*Apply a thread locking adhesive such as Loctite #271, 277, 242, or 569.