

OWNER'S INFORMATION MANUAL

For Model

NT-42T

FOR YOUR SAFETY

IF YOU SMELL GAS:

1. OPEN ALL WINDOWS.
2. DON'T TOUCH ANY ELECTRICAL SWITCHES.
3. EXTINGUISH ANY OPEN FLAMES.
4. IMMEDIATELY CALL YOUR GAS SUPPLIER.

FOR YOUR SAFETY

DO NOT STORE OR USE GASOLINE OR OTHER FLAMMABLE VAPORS AND LIQUIDS IN THE VICINITY OF THIS OR ANY OTHER APPLIANCE.

WARNING! Improper installation, adjustment, alteration, service or maintenance can cause injury or property damage. Refer to the installation instructions provided with the furnace and this manual. For assistance or additional information, consult a qualified installer, service agency or the gas supplier.

This book contains instructions covering the operation and maintenance of your furnace. Keep with unit at all times. Should you require further information, contact your dealer or nearest Suburban Service Center.

Listed below are several safety-related items that you should follow to assure continued safe operation of the furnace:

1. Keep the furnace area clear of any combustible materials, gasoline or other flammable vapors and liquids.
2. Before operating the furnace, check the location of the furnace vent to make sure it will not be blocked by the opening of any door or the trailer. If it can be blocked, do not operate the furnace with the door open.
3. Do not restrict the flow of combustion air or the warm air circulation to the furnace. To do so could cause personal injury and/or death.
4. Never operate the furnace if you smell gas.
5. Immediately shut furnace down and call a service agency if furnace cycles erratically or delays on ignition.

WARNING! Should overheating occur, or the gas supply fail to shut off, shut off the manual gas valve to the appliance before shutting off the electrical supply.

6. Always follow the lighting instructions. Do not deviate from the step-by-step procedures.
7. Never attempt to repair damaged parts. Always have them replaced by a qualified service agency.
8. Never attempt to repair the furnace yourself. Seek the help of a qualified service person.
9. Periodically observe the main burner flame to assure it is burning with a hard blue flame with well defined burner ports (see Figure 2). If flame appears yellow or burner has a lazy flame, shut furnace down and contact a qualified service person.

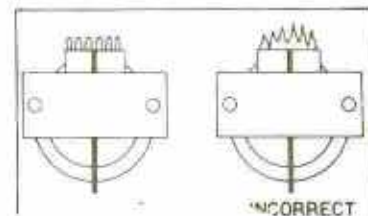
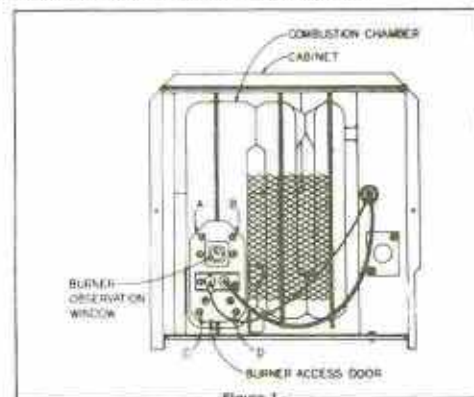
NOTE: To observe flame, cabinet front must be removed. Operation of burner can then be observed through the viewing window on front of chamber (see figure 1).

10. Periodically inspect outside vent cap for obstructions or presence of soot. If soot is present, immediately shut furnace down and contact a qualified service person.
11. Never restrict the ducting installed by your heater manufacturer. To do so could cause improper furnace operation.
12. Do not install air boosters in the duct system. Such devices will cause the furnace to cycle on limit and erratic set switch operation.
13. Installation and repair should be done by a qualified service person. The appliance should be inspected before use and at least annually by a professional service person. More frequent cleaning may be required due to excessive lint from carpeting, bedding material, etc. It is imperative that control compartments, burners and circulating air passageways of the appliance be kept clean.
14. Clothing or other flammable material should not be placed on or near the appliance.

PREVENTIVE MAINTENANCE

Your furnace should be inspected before use and at least annually by a qualified service agency. Particular attention should be given to the following items:

1. Inspect combustion chamber for restrictions in exhaust or intake. It is imperative that the flow of intake combustion air and the flow of exhaust gases being expelled to the outside atmosphere not be obstructed. Any soot or loose debris should be blown out using high compression air. (See Figure 3.)
2. Inspect all gaskets. If any gaskets show signs of leakage or deterioration, replace them. Safe operation of the furnace depends on all gaskets being tight.
3. Inspect return air inlet openings to the furnace. Remove any restrictions to assure adequate air flow.
4. Inspect main burner by removing the four (4) screws (A, B, C and D) securing the burner access door to the combustion chamber (see Figure 1). If excessive rust and corrosion are present on burner surface, the burner must be thoroughly cleaned or repaired. The burner may be cleaned using a steel wire brush and blown clean using high compression air.
5. The motor is permanently lubricated and requires no oiling.



OPERATING INSTRUCTIONS

1. Turn the manual valve to the "OFF" position. (See Figure 1.)
2. Move "OFF" lever located at the bottom of the thermostat to the right if set on the "OFF" position.
3. Move thermostat lever above room temperature. After a slight delay, the blower will come on. Allow blower to run for 5 minutes for combustion chamber purge cycle.
4. After 5 minutes, move thermostat lever below room temperature. Blower will go off.
5. Open manual shut-off valve. Correct operating characteristics depend on this valve being positioned fully open. Never attempt to operate with valve partially closed.
6. Set thermostat lever above room temperature.

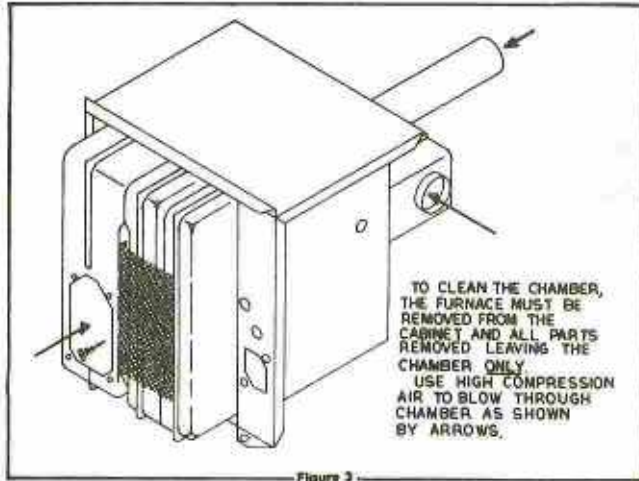


Figure 3

7. Allow 30 seconds for main burner to light after the blower comes on.
8. If burner does not light, set thermostat on "OFF", wait until blower stops and repeat Steps 1 through 5.
9. If after three (3) attempts with no ignition, go to shutdown and contact your dealer or a local recreational vehicle service agency. Do not continue to cycle furnace through thermostat in an attempt to get ignition.

TO SHUT DOWN

1. Set thermostat to positive off position.
2. Turn manual shut off valve to the "OFF" position.

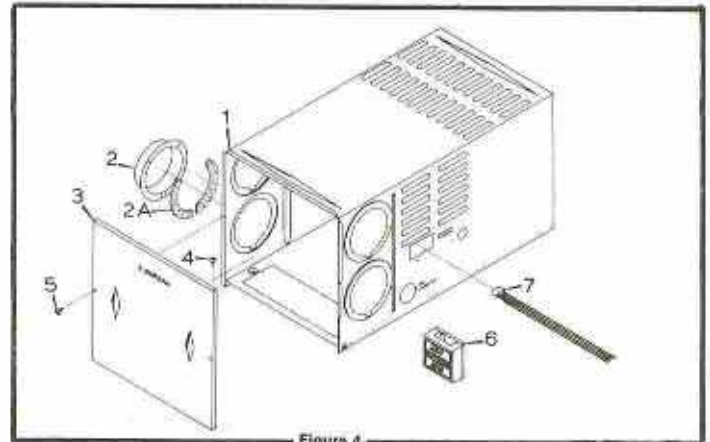


Figure 4

REPLACEMENT PARTS LIST NT-42T

Only factory authorized parts are to be used. Do not attempt to repair defective parts.

When ordering repair parts from your dealer, a Suburban Service Center, or distributor, always give the following information:

1. Part Number (Not Item No.)
2. Part Description
3. Model and Serial Number of Furnace
4. Number of Parts Required

Item No.	Description	Part Number	Item No.	Description	Part Number
1	Cabinet Assembly	101033	41	Vent Cap And Exhaust Tube Assembly	260123
2	Duct Collar (4 Required)	050715	42	Intake Tube Assembly	050933
2A	Gasket, Duct Collar	070612	43	Radiation Shield Assembly	110506
3	Cabinet Front Assembly	101002	44	Collar, Exhaust Tube Heat Shield	060633
4	Screw, #10 x 3/4 (2 Required)	121224	45	Screw, #10 x 3/4 (4 Required)	121224
5	Screw, #10 x 1/2 (7 Required)	121388	47	Burner Assembly	010639
6	Thermostat	160902	48	Orifice, Main Burner	180216
7	Power Supply Harness (Female)	330789	49	Gasket, Manifold	070408
8	Screw, #6 - 32 x 3/8 (2 Required)	121407	50	Screw, #10 x 1/2 (4 Required)	121388
9	Electrode	830956	51	Manifold Pipe	170924
10	Nut, #D - 24 Hex Thread Locking (2 Required)	121421	52	Valve	160832
11	Burner Access Door	030523	53	Bracket, Valve Mounting	062571
12	Gasket, Electrode	070163	54	Screw, #8 x 3/8 (2 Required)	120158
13	Screw, #8 x 3/8 (2 Required)	120158	55	Elbow, Street 90°	170012
14	Screw, #10 x 1/2 (4 Required)	121388	60	Valve, Manual Shut-Off	180740
15	Glass Disc	310026	61	Wheel, Room Air	350096
16	Cover Plate	290120	62	Screw, #10 x 3/8 (4 Required)	121252
17	Gasket, Burner Access Door	070396	63	Blower Housing Assembly	390384
18	Combustion Chamber	080927	64	Screw, #10 - 24 x 1/2 (3 Required)	121227
19	Screw, #8 x 3/8 (2 Required)	120158	65	Micro Switch Assembly	230509
20	Limit Switch	230885	66	Screw, #2 - 56 x 5/8 (2 Required)	121247
22	Screw, #10 x 3/8	121252	68	Fastener, Tinnerman (2 Required)	121661
23	Bushing	070362	69	Screw, #10 x 1/2 (3 Required)	121388
24	Screw, #10 x 3/8 (2 Required)	121252	70	Bracket, Motor Mount (3 Required)	062138
25	Wire Clamp	060270	71	Nut, #10 - 24 Hex Keys (3 Required)	120717
26	Splicer	230714	72	Gasket, Crossover Tube (2 Required)	070395
27	Screw, #6 x 1/4 (2 Required)	120714	73	Crossover Tube	050751
28	Screw, #8 x 3/8	120158	74	Screw, #10 x 1/2 (2 Required)	121388
29	Bushing	070270	75	Motor Assembly	231206
30	Bracket, Power Supply	062135	76	Gasket, Motor Mount	070384
31	Screw, #8 x 3/8 (2 Required)	120158	77	Housing, Combustion Air Assembly	380179
32	Wire Clamp	060270	78	Screw, #10 - 16 x 1/2 (3 Required)	121436
33	Screw, #8 x 3/8	120158	79	Wheel, Combustion Air	350077
34	Module Board	230587	80	Screw, #10 - 16 x 1/2 (3 Required)	121436
35	Cap, Insulator	070549	81	Gasket, Combustion Air Housing	070396
36	Screw, #8 x 5/8 (2 Required)	121357	82	Housing, Combustion Air (Outside)	390240
37	Insulator, Module Board	070538	83	Screw, #10 x 1/2 (9 Required)	121388
38	Panel, Board Mounting	090301			
39	Relay, Time Delay	231202			
40	Screw, #6 x 5/8 (2 Required)	121357			

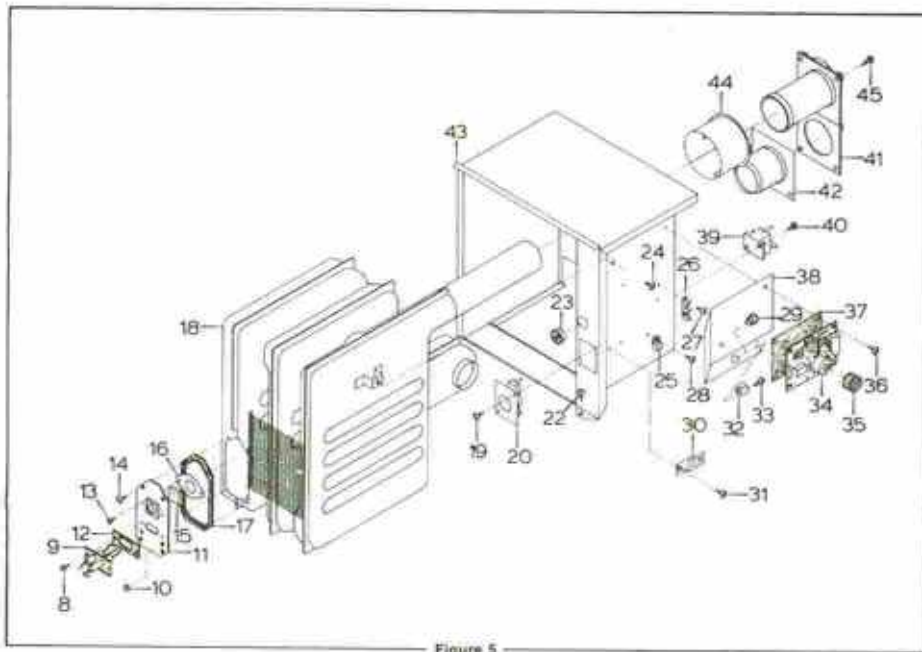


Figure 5

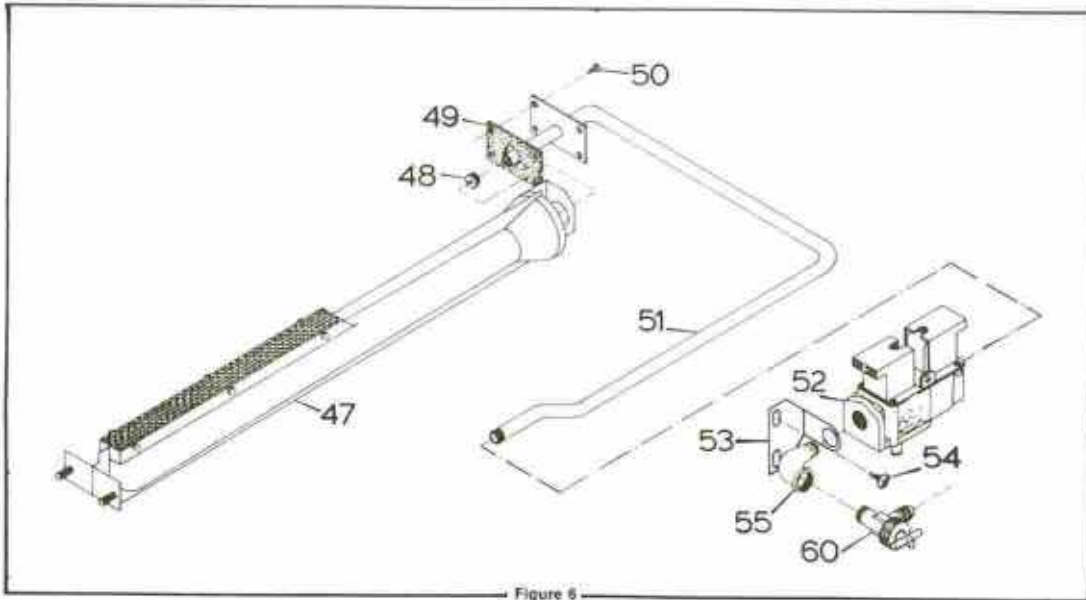


Figure 6

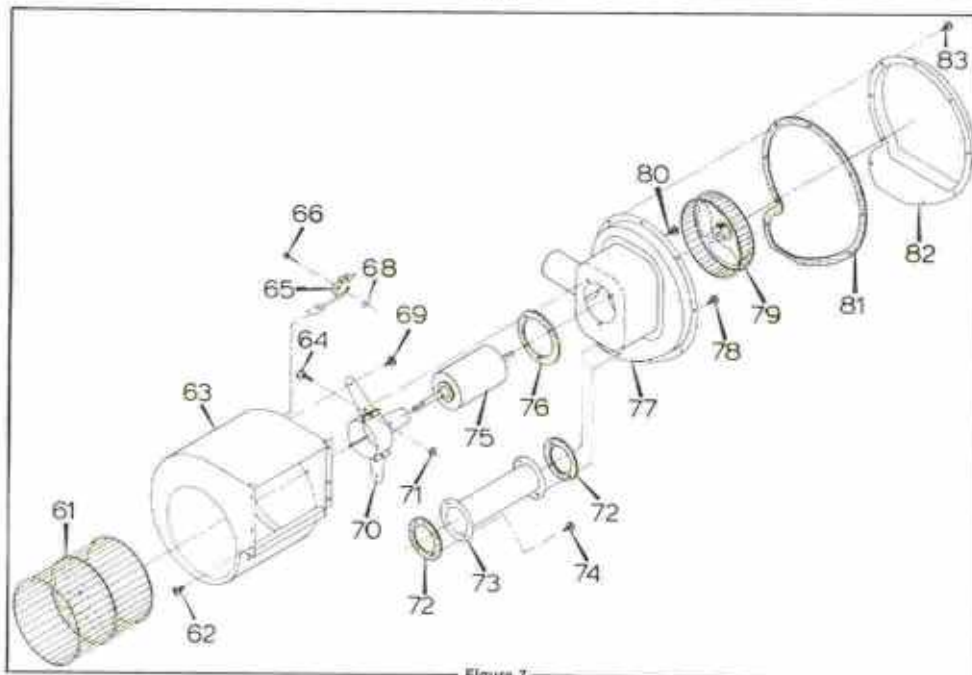


Figure 7

LIMITED WARRANTY

SUBURBAN RECREATIONAL VEHICLE FURNACE

LIMITED ONE YEAR WARRANTY

This Suburban product is warranted to the original purchaser to be free from defects in material and workmanship under normal use and maintenance for a period of one year from date of purchase whether or not actual use begins on that date. It is the responsibility of the consumer/owner to establish the warranty period. Suburban does not use warranty registration cards for its standard warranty. You are required to furnish proof of purchase date through a Bill of Sale or other payment record.

Suburban will replace any parts that are found defective within the first year and will pay a warranty service allowance directly to the authorized Suburban Service Center at rates mutually agreed upon between Suburban and its authorized service centers. Replacement parts will be shipped FOB the shipping point within the Continental United States, Alaska and Canada to authorized service centers performing such repairs. Before having warranty repairs made, confirm that the service agency is an authorized service center for Suburban. DO NOT PAY THE SERVICE AGENCY FOR WARRANTY REPAIRS; SUCH PAYMENTS WILL NOT BE REIMBURSED.

For warranty service, the owner/user should contact the nearest authorized Suburban Service Center, advising them of the model and serial numbers (located on the furnace) and the nature of the defect. Transportation of the unit to and from the Service Center and/or travel expenses of the Service Center to your location are the responsibility of the owner/user. A listing of authorized Service Centers is included in the owner's packet supplied with the furnace and a current listing may be obtained from Suburban. If you cannot locate an authorized service center locally, the service agency chosen to perform warranty repairs must contact our Service Department at 615-775-2131 for authorization. Unauthorized repairs made will not be paid by Suburban.

LIMITED FOUR YEAR WARRANTY ON HEAT EXCHANGER

The furnace heat exchanger is further warranted to be free from defects in material and workmanship during the second through fifth year after the date of original purchase. A replacement heat exchanger will be provided under the same conditions as stated in the one year warranty EXCEPT no labor reimbursement will be provided.

LIMITATION OF WARRANTIES

ALL IMPLIED WARRANTIES (INCLUDING IMPLIED WARRANTIES OF MERCHANTABILITY) ARE HEREBY LIMITED IN DURATION TO THE PERIOD FOR WHICH EACH LIMITED WARRANTY IS GIVEN. SOME STATES DO NOT ALLOW LIMITATIONS ON HOW LONG AN IMPLIED WARRANTY LASTS SO THE ABOVE LIMITATIONS MAY NOT APPLY TO YOU. THE EXPRESSED WARRANTIES MADE IN THIS WARRANTY ARE EXCLUSIVE AND MAY NOT BE ALTERED, ENLARGED, OR CHANGED BY ANY DISTRIBUTOR, DEALER OR OTHER PERSON WHOMSOEVER.

SUBURBAN WILL NOT BE RESPONSIBLE FOR:

1. Normal maintenance as outlined in the installation, operating and service instructions-owner's manual including cleaning of component parts, such as, orifices and burners.
2. Initial checkouts and subsequent checkouts which indicate the furnace is operating properly, or diagnosis without repair.
3. Damage or repairs required as a consequence of faulty or incorrect installation or application not in conformance with Suburban instructions.
4. Failure to start and/or operate due to loose or disconnected wires; water or dirt in controls, fuel lines and gas tanks; restriction or alteration of return air circulation; low voltage.
5. Routine adjustments that may be required to the thermostat, electrode and burner.
6. Costs incurred in gaining access to the furnace.
7. Parts or accessories not supplied by Suburban.
8. Freight charges incurred from parts replacements.
9. Damage or repairs needed as a consequence of any misapplication, abuse, unreasonable use, unauthorized alteration, improper service, improper operation or failure to provide reasonable and necessary maintenance.
10. Suburban products whose serial number has been altered, defaced or removed.
11. Suburban products installed outside the Continental U.S.A., Alaska and Canada.
12. Damage as a result of floods, winds, lightning, accidents, corrosive atmosphere or other conditions beyond the control of Suburban.
13. ANY SPECIAL, INDIRECT OR CONSEQUENTIAL PROPERTY, ECONOMIC OR COMMERCIAL DAMAGE OF ANY NATURE WHATSOEVER. Some states do not allow the exclusion of incidental or consequential damages, so the above limitation may not apply to you.

NO REPRESENTATIVE, DEALER OR OTHER PERSON IS AUTHORIZED TO ASSUME FOR SUBURBAN MANUFACTURING COMPANY ANY ADDITIONAL, DIFFERENT OR OTHER LIABILITY IN CONNECTION WITH THE SALE OF THIS SUBURBAN PRODUCT.

This warranty gives you specific legal rights, and you may also have other rights which vary from state to state.

IF YOU HAVE A PRODUCT PROBLEM

FIRST:

If your RV has its original furnace and is still under the RV manufacturer's warranty, follow the steps described in your RV owner's manual.

SECOND:

Contact a conveniently located authorized Suburban Service Center. A list of such service centers is enclosed with Suburban's Installation, Operating and Service Instructions book. Describe to them the nature of your problem, make an appointment, if necessary, and provide for delivery of the furnace to the selected service center.

THIRD:

Contact: Suburban Manufacturing Company
Customer Service Department
Post Office Box 399
Dayton, Tennessee 37321
Telephone: (615) 775-2131

