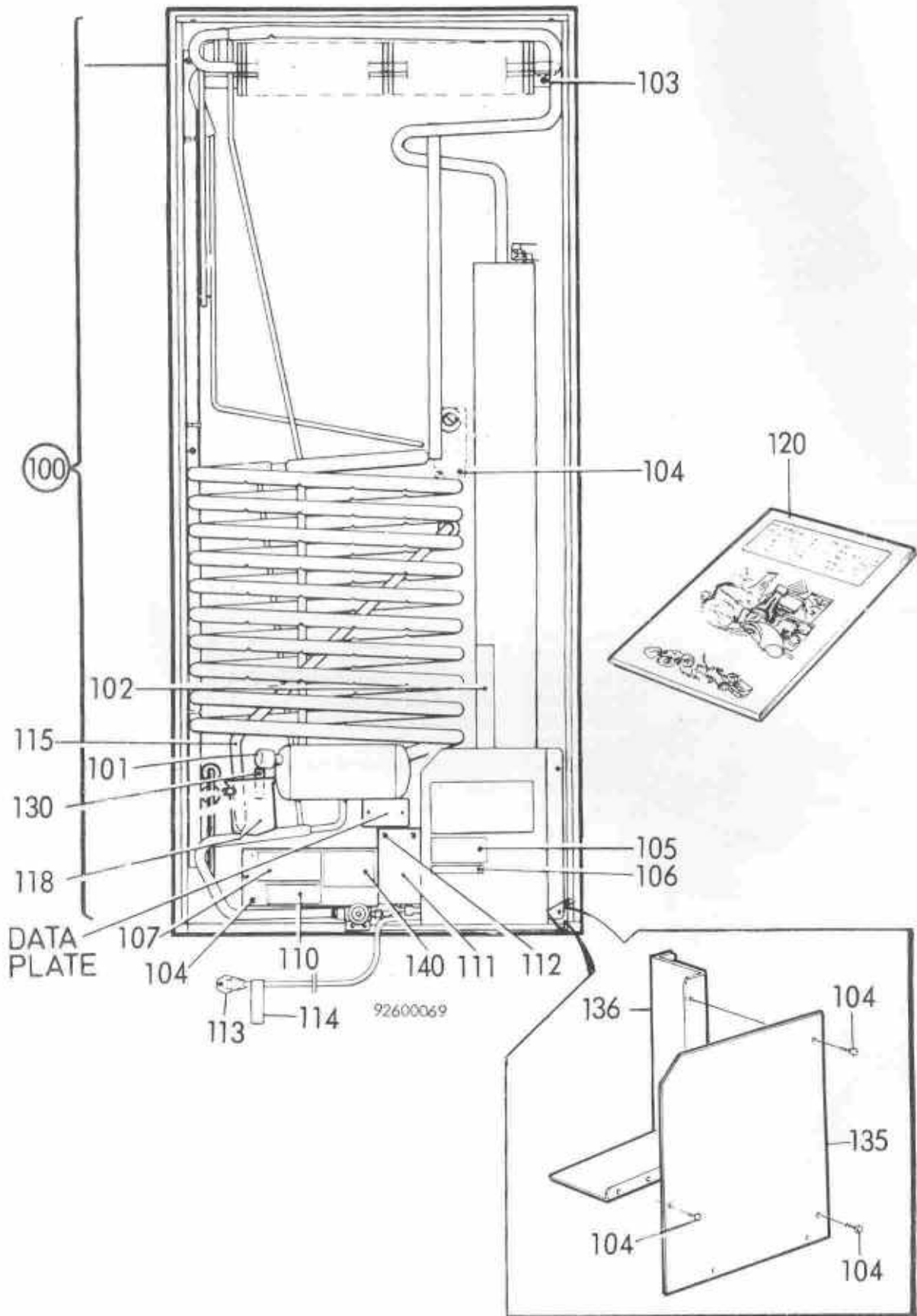
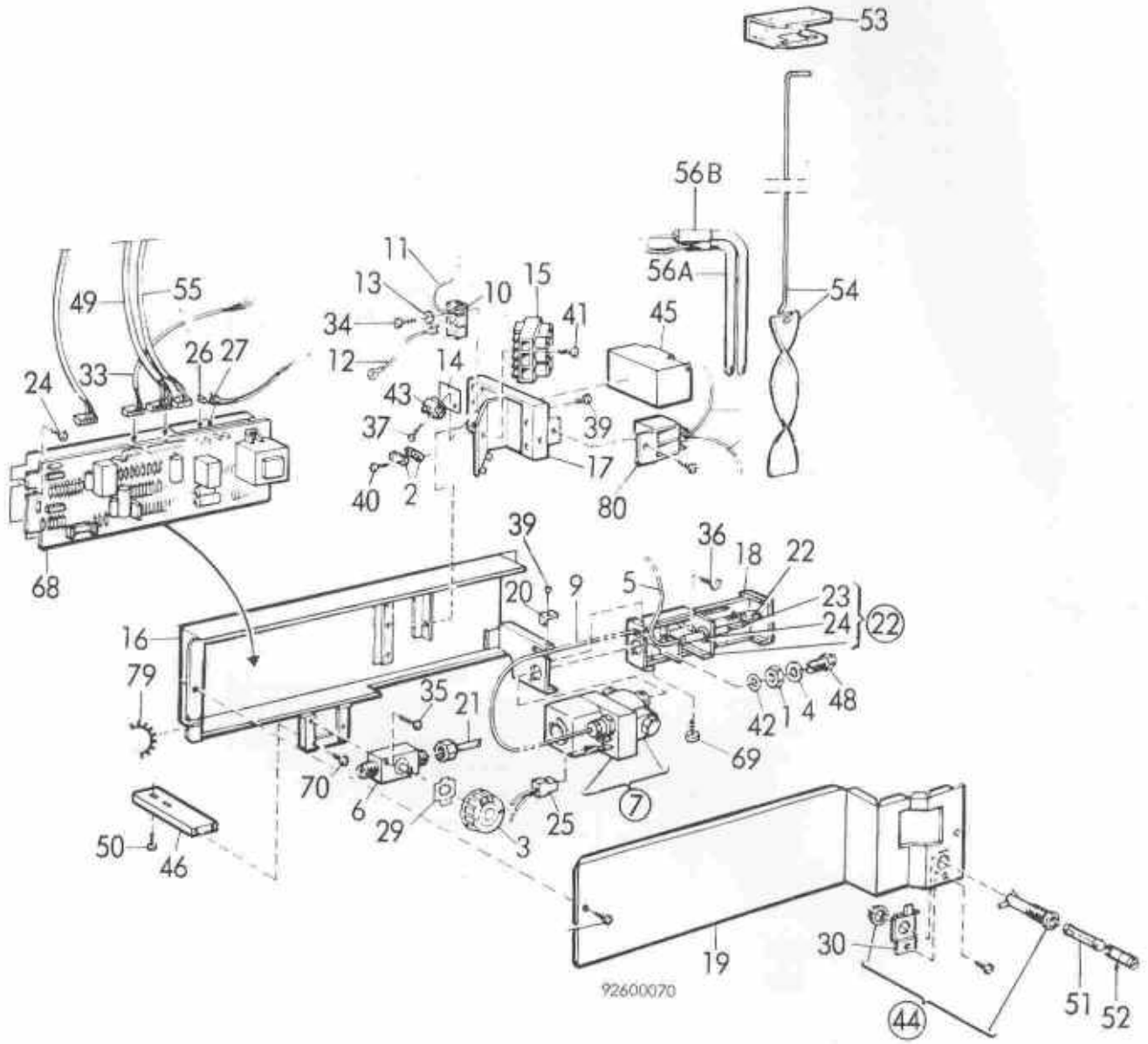


ITEM NO	PART NO	DESCRIPTION
3	200 75 35-01/2	Shelf
4	200 76 05-00/5	Cooling flange
5	293 01 33-01/8	Shelf
6	725 23 30-13/4	Screw,M6S,5x20,nickel plated
7A	200 26 52-17/6	Shelf
7B	200 26 52-16/8	Shelf
8	731 43 14-13/4	Nut,,M5,brass,nickel plated
9	200 76 49-01/1	Plate
10	729 54 22-11/2	Screw,RXS,B10x38,nickel plated
12	293 04 00-00/3	Ice tray
13	200 73 93-01/6	Shelf lock,outer
14	200 73 92-01/8	Shelf lock,inner
16	200 40 42-00/4	Support thermostat-
18	200 27 26-02/0	Box vegetable-
25	200 40 44-07/5	Cover
26	200 76 10-00/5	Drip tray
27	293 07 44-01/2	Lighting
28	200 72 90-00/6	* Lamp,10W,12 V
29	294 08 25-00/9	Switch door
30	293 07 35-01/0	Conductor
33	293 06 25-02/1	Knob,brown
34	16 33 82-00/5	* Spring
35	200 76 45-01/9	Water level
41	200 73 37-03/9	Rack,L= approx 15"
42	200 73 37-07/0	Rack
43	293 01 36-00/3	Box
44	293 06 93-03/7	Retainer
45	200 75 37-00/0	Rack
47	200 40 56-01/2	Cover
48	200 40 43-00/2	Lamp screen
49	200 12 81-01/9	Locking pin
50	200 27 27-01/0	Lid
51	200 13 54-02/2	Index
52	729 52 83-40/7	Screw,RXS,B6x16,stainless
58A	200 51 11-11/3	Strip decoration-
58B	200 51 11-12/1	Strip decoration-
63	200 27 98-00/3	Clamp
64	729 53 44-11/8	Screw,RXS,B6x16,stainless
65	293 04 87-00/0	Lid
73	293 08 14-01/3	Thermostat



---

ITEM NO	PART NO	DESCRIPTION
100	293 49 01-99/8	Cooling unit,2934901-09+ emb
101	17 32 28-00/8	* Cap
102	293 35 57-00/7	* Flap
103	724 13 28-61/1	Screw,M5x14,zincified
104	729 52 79-01/7	Screw,RXS,B6x10,zincified
105	200 75 71-00/9	Sign plate
106	200 75 74-02/9	Sign plate
107	200 76 89-00/9	Label
110	293 07 50-00/1	Label
111	293 08 10-01/1	Protection
112	729 82 79-11/3	Screw,B6x9,5
113	200 26 99-02/9	Cord set
114	200 25 76-00/3	Label
115	293 11 33-01/7	Hose
118	293 11 34-01/5	Evaporation tray
120	820 45 05-01/3	Instructions for use
130	729 62 25-01/9	Screw,fxs,B4x9,5,zincified
135	293 07 86-01/3	Protection plate
136	293 07 84-01/8	Protection plate
140	200 25 77-00/1	Label



ITEM NO	PART NO	DESCRIPTION
1	14 02 07-04/4	Nut
2	56 10 14-01/0	Anti-strain clip
3	200 40 67-21/7	Knob
4	200 74 57-00/1	Washer
5	200 76 68-02/9	Conductor
6	200 77 09-01/3	Cock gas-
7	200 77 19-01/2	Valve solenoid-
9	293 03 26-01/8	Thermocouple
10	293 03 27-00/8	Terminal rail
11	293 03 32-01/6	Conductor
12	293 03 52-01/4	Conductor
13	293 03 64-00/1	Washer
14	293 10 52-01/9	Insulating plate
15	293 04 63-00/1	Terminal block
16	293 06 42-04/2	Box
17	293 06 48-01/5	Mounting plate
18	293 06 51-01/9	Burner housing
19	293 06 53-01/5	Lid
20	293 06 60-01/0	Retainer
21	293 06 85-01/7	Tube gas-
22	293 06 97-02/0	Burner
23	293 03 79-00/9	* Electrode
24	724 12 87-61/9	* Screw,,zincified
25	293 07 28-02/3	Conductor,cpl
26	293 07 29-03/9	Conductor,cpl
27	293 07 29-04/7	Conductor,cpl
29	293 08 11-01/9	Protect. washer
30	293 07 37-01/6	Retainer
33	293 07 99-02/4	Conductor,cpl
34	724 12 89-61/5	Screw,MRX,,zincified
35	724 12 97-61/8	Screw,M4x25,zincified
36	729 52 21-01/9	Screw,RXS,B4x6,5,zincified
37	729 52 31-01/8	Screw,RXS,B4x19,zincified
40	729 52 85-40/2	Screw,RXS,B6x19,stainless
41	729 52 87-40/8	Screw,RXS,B6x25,stainless
42	734 58 42-01/2	Washer
43	762 72 02-56/2	Terminal block
44	762 88 01-23/0	Retainer fuse-
45	767 91 00-00/3	Spark ignition device
46	293 06 61-01/8	Retainer
48	200 74 19-21/7	Jet,
49	293 07 82-06/1	Conductor
50	724 13 28-61/1	Screw,M5x14,zincified
51	762 82 11-94/3	Fuse
52	762 88 02-21/2	Insert
53	200 75 98-01/0	Flue top
54	200 75 90-06/6	Baffle
55	293 07 83-02/8	Conductor
56A	17 37 42-08/1	Immersion heater,325w,120 V
56B	17 37 57-02/2	Immersion heater,215W,12 V
68	8750 03 50-24/1	Circuit board
70	729 53 40-01/7	Screw,RXS,B8x9,5,zincified
79	293 07 18-02/4	Strip
80	293 03 85-00/6	Relay
65	200 25 76-00/3	Label
66	729 52 79-01/7	Screw,RXS,B6x10,zincified