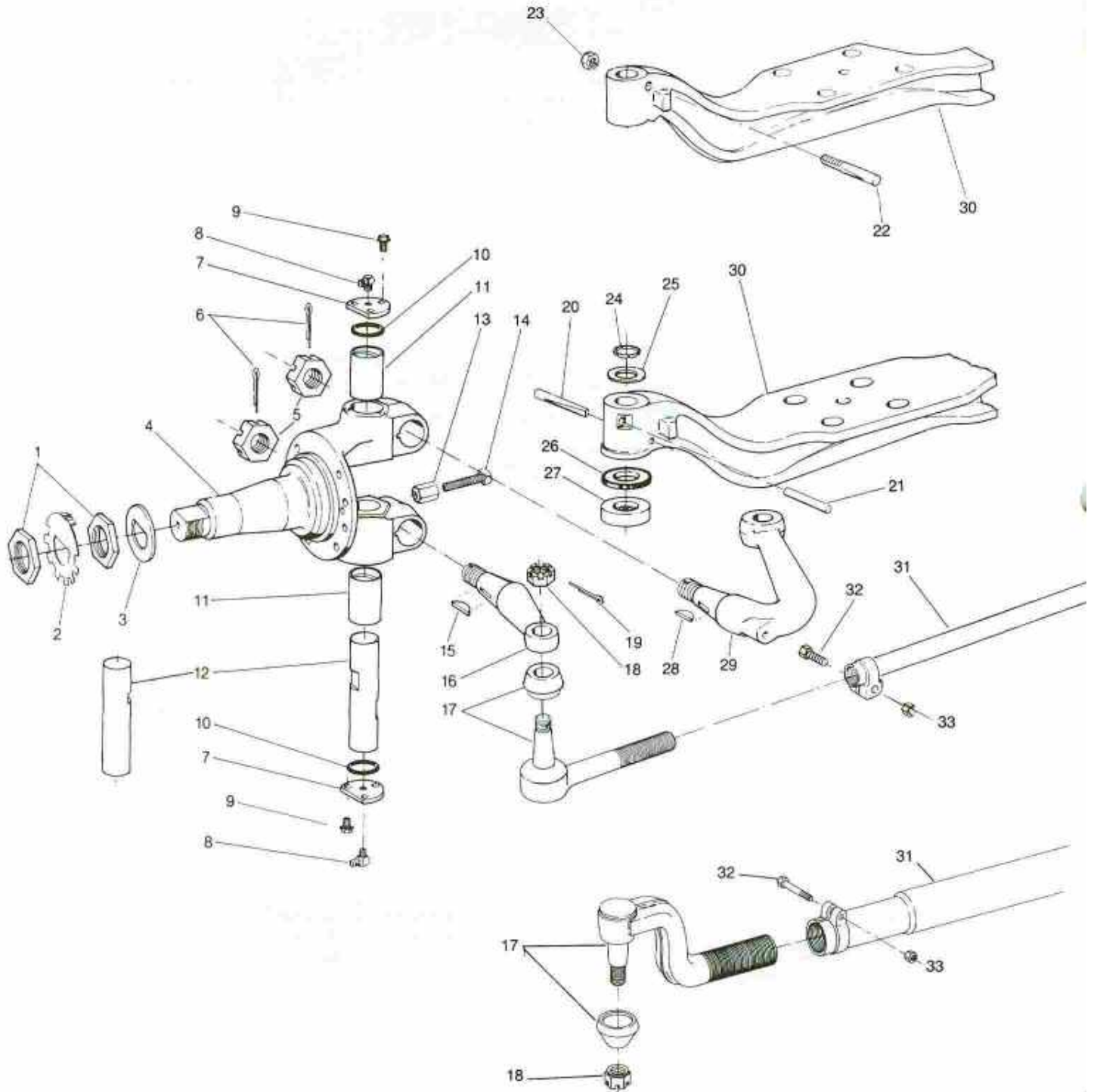


Axle Components — Models I-90, I-108, I-120, I-132



Part Numbers — Models I-90, I-108, I-120, I-132

ITEM	DESCRIPTION	I-90	I-108	I-120	I-132	QTY.
1	Spindle Nut	50325R1	50325R1	50325R1	50325R1	2①
		50325R1	50325R1	50325R1	50325R1	4②
2	Lock Washer	070HN161	070HN161	070HN161	070HN161	2②
3	Bearing Retainer Washer	070HN160	070HN160	070HN160	070HN160	2②
4	Steering Knuckle Assembly (Includes Item 11)					
	Right	442125C91	448536C91	442133C91	442133C91	1
	Left	442119C91	448530C91	442127C91	442127C91	1
5	Tie Rod Arm & Steering Arm Slotted Nut	141037H	141037H	141037H	141037H	3
6	Cotter Pin .187 x 2.00	103411	103411	103411	103411	3
7	King Pin Cap	588101C1	588101C1	588101C1	588101C1	4
8	Grease Fitting					
	Top Straight	109461	109461	109461	109461	2
	Top 90° Angle	109462	109462	109462	109462	2
	Bottom 65° Angle	109460	109460	109460	109460	2
9	Screw & Lock Washer Assembly	101HM101	101HM101	101HM101	101HM101	12
10*	Steering Knuckle Cap O-Ring	327085R1	327085R1	327085R1	327085R1	4
11*	Steering Knuckle Bushing	Serviced As A Kit Only See Page 8				4
12*	Steering Knuckle King Pin	Serviced As A Kit Only See Page 8				2
13	Steering Knuckle Stop Nut	95572HA	95572HA	95572HA	95572HA	2
14	Steering Knuckle Stop Screw					
	.500-13 x 2.500	578206C1	578206C1	578206C1		2
	.500-13 x 2.625	575961C1	575961C1	575961C1		2
	.500-13 x 3.000		578208C1	578208C1		2
	.500-13 x 2.750			578207C1		2
	.500-13 x 2.375				101HM100-3	2
15	Steering Arm Key	22246R1	22246R1	22246R1	22246R1	2
16	Tie Rod Arm	(As Specified See O.E.M. Catalog)				2
17*	Tie Rod End & Dust Cover	Serviced As A Kit Only See Page 8				2
18*	Tie Rod End Nut .875 N.F.	Serviced As A Kit Only See Page 8				2
19	Cotter Pin .125 x 1.750	103388	103388	103388	103388	2
20*	King Pin Draw Key (Inner)					
	1.810 (Tapered Length)	228877R1	228877R1	228877R1	228877R1	2
	1.690 (Tapered Length)	228876R1	228876R1	228876R1	228876R1	2
	1.560 (Tapered Length)	228875R1	228875R1	228875R1	228875R1	2
21*	King Pin Draw Key (Outer)					
	1.630 (Tapered Length)	150768R1	150768R1	150768R1	150768R1	2
	1.880 (Tapered Length)	584214C1	584214C1	584214C1	584214C1	2
	1.880 (Tapered Length)	150767R1	150767R1	150767R1	150767R1	2
	1.775 (Tapered Length)	698773R1	698773R1	698773R1	698773R1	2
	1.505 (Tapered Length)	584213C1	584213C1	584213C1	584213C1	2
22*	King Pin Draw Key Single (Threaded)	487529C1	487529C1	487529C1	487529C1	2
23*	King Pin Draw Key Nut .500-20 Grade 8	414087C1	414087C1	414087C1	414087C1	2
24*	King Pin Oil Seal (Upper)	418397C91	418397C91	418397C91	418397C91	
25*	Steering Knuckle Shim					
	.005 Thick	239182R2	239182R2	239182R2	239182R2	A/R†
	.010 Thick	239183R2	239183R2	239183R2	239183R2	A/R†
	.020 Thick	239184R2	239184R2	239184R2	239184R2	A/R†
26*	King Pin Oil Seal (Lower)	580325C1	580325C1	580325C1	580325C1	2
27*	Steering Knuckle Thrust Bearing	141067H	141067H	141067H	141067H	2
28	Steering Arm Key (Square)	22246R1	22246R1	22246R1	22246R1	1
29	Steering Arm	As Specified (See O.E.M. Catalog)				1
30	I-Beam	As Specified (See O.E.M. Catalog)				1
31*	Tie Rod Tube & Clamp Ass'y.	Serviced As A Kit Only See Page 8				1
32*	Tie Rod Clamp Bolt	Serviced As A Kit Only See Page 8				2
33*	Tie Rod Clamp Nut	Serviced As A Kit Only See Page 8				2

*Included in service parts kits

†As required.

①Assemblies without wheel ends

②Assemblies with wheel ends